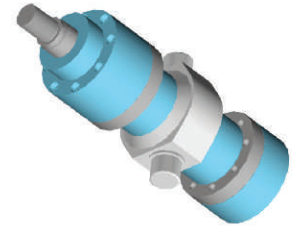
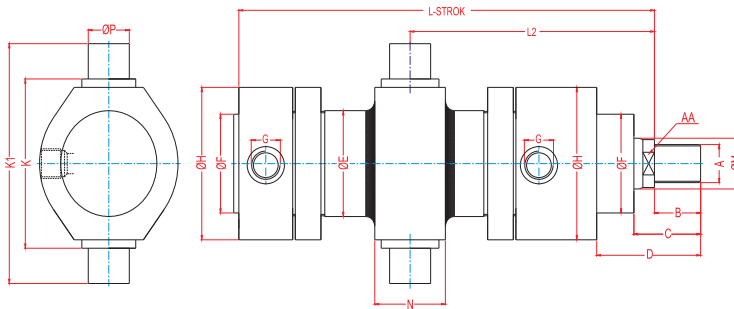


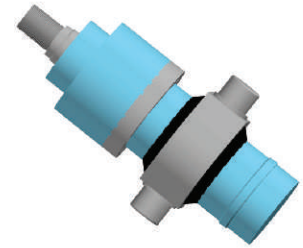
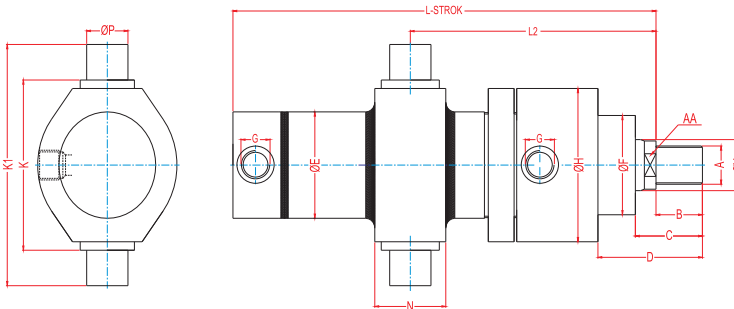


**HC01-9/....** STANDART HİDROLİK SİLİNDİRLER (Standart hydraulic cylinders)  
**HC02-9/....** ISO 6020/1 CETOP R58 H

HC01-9/....



HC02-9/....



PİSTON	Ø32	Ø40	Ø50	Ø63	Ø80	Ø100	Ø125	Ø140	Ø160	Ø180	Ø200
M	18 / 22	22 / 28	28 / 36	36 / 45	45 / 56	56 / 70	70 / 80	80 / 90	90 / 100	100 / 110	110 / 120
A	M14x1.5	M16x1.5	M20x1.5	M27x2.0	M33x2.0	M42x2.0	M48x2.0	M56x2.0	M64x3.0	M72x3.0	M80x3.0
	M16x1.5	M20x1.5	M27x2.0	M33x2.0	M42x2.0	M48x2.0	M56x2.0	M64x3.0	M72x3.0	M80x3.0	M85x3.0
AA	14 / 17	17 / 22	22 / 30	30 / 36	36 / 45	45 / 60	60 / 68	68 / 75	75 / 85	85 / 95	95 / 105
B	18 / 22	22 / 28	28 / 36	36 / 45	45 / 56	56 / 63	63 / 75	75 / 85	85 / 90	90 / 95	95 / 100
C	31	35	42	52	63	76	86	100	110	120	125
D	50	54	66	81	99	113	123	140	151	165	170
E	40	50	60	75	95	115	150	165	190	210	245
F	40	50	60	70	85	106	132	145	160	185	200
G	R1/4"	R3/8"	R1/2"	R1/2"	R1/2"	R3/4"	R3/4"	R3/4"	R1"	R1"	R1"
H	68	78	98	108	135	158	186	210	240	255	305
K	75	90	105	120	140	165	195	220	250	275	315
K1	99	122	145	170	204	245	295	332	376	415	475
L	170	190	205	224	250	300	328	360	370	425	450
L1	165	194	212	237	259	300	313	330	350	400	410
L2	108	130	139	159	169	210	238	265	271	313	355
N	32	36	45	55	65	70	90	100	110	120	130
P	16	20	25	30	40	50	63	70	80	90	100