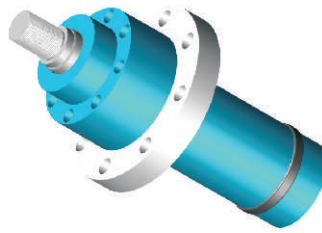
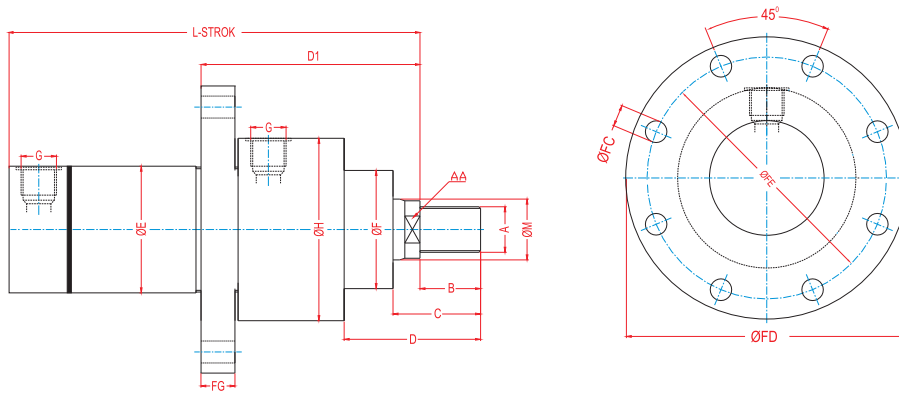




HC02-P PRES TİPİ HİDROLİK SİLİNDİRLER (Press Hydraulic Cylinders)
ISO 6020/1 CETOP R58 H



HC02-P



PİSTON	Ø32	Ø40	Ø50	Ø63	Ø80	Ø100	Ø125	Ø140	Ø160	Ø180	Ø200
M	18/22	22/28	28/36	36/45	45/56	56/70	70/80	80/90	90/100	100/110	110/120
A	M14x1.5	M16x1.5	M20x1.5	M27x2.0	M33x2.0	M42x2.0	M48x2.0	M56x2.0	M64x3.0	M72x3.0	M80x3.0
	M16x1.5	M20x1.5	M27x2.0	M33x2.0	M42x2.0	M48x2.0	M56x2.0	M64x3.0	M72x3.0	M80x3.0	M85x3.0
AA	14/17	17/22	22/30	30/36	36/45	45/60	60/68	68/75	75/85	85/95	95/105
B	18/22	22/28	28/36	36/45	45/56	56/63	63/75	75/85	85/90	90/95	95/100
C	31/35	35/39	42/50	52/61	63/74	76/94	86/98	100/110	110/115	120/125	125/...
D	50	54	66	81	99	113	123	140	151	165	170
E	40	50	60	75	95	115	150	165	190	210	245
F	40	50	60	70	85	106	132	145	160	185	200
FC	9	9	11	13	17	22	22	22	22	26	26
FD	110	126	148	169	196	238	274	298	318	368	386
FE	92	106	126	145	165	200	235	260	280	320	340
FG	16	16	20	27	35	35	38	38	46	46	48
G	R1/4"	R3/8"	R1/2"	R1/2"	R1/2"	R3/4"	R3/4"	R3/4"	R1"	R1"	R1"
H	68	78	98	108	135	158	186	210	240	270	305
D1	103	106	125	137	162	184	187	191	199	219	221
L	165	194	212	237	259	300	313	330	350	400	410